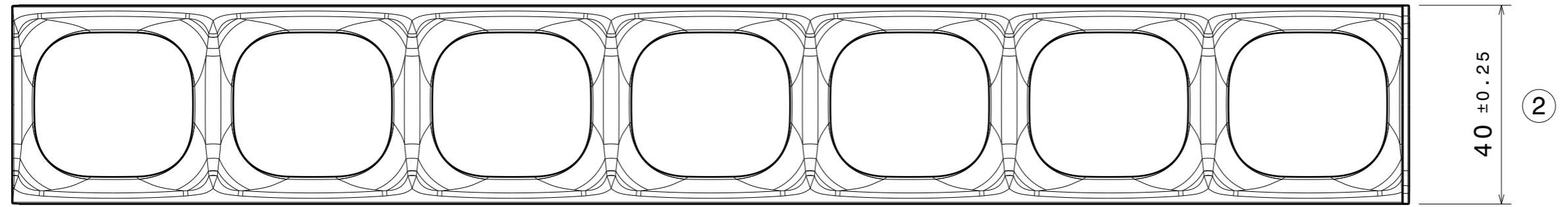
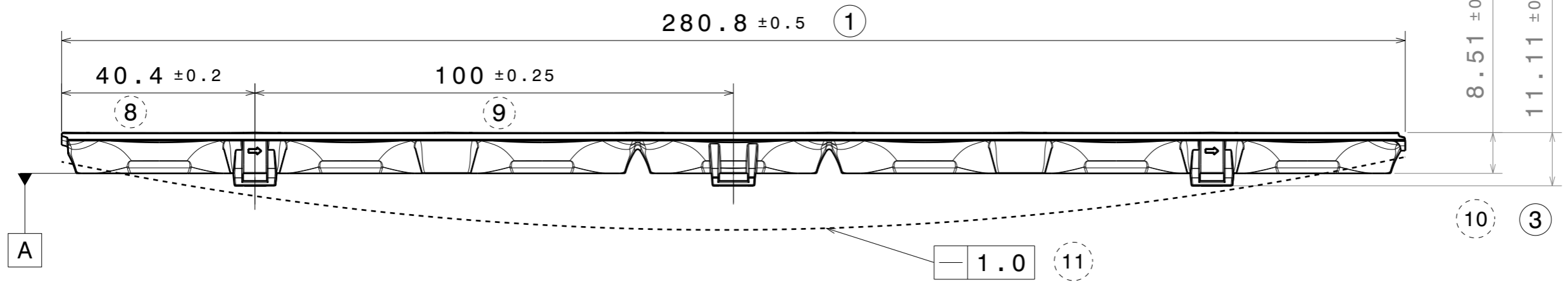
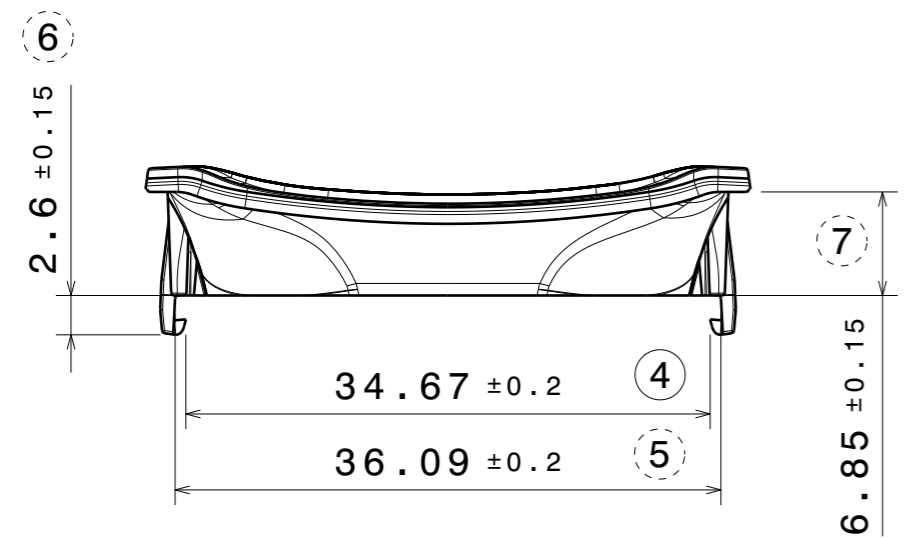
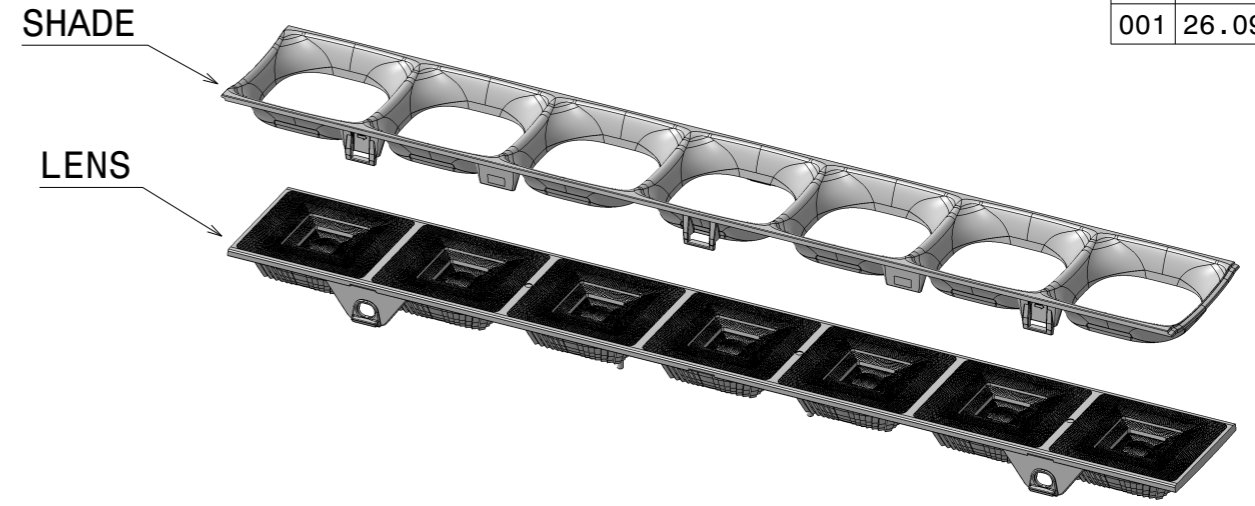


REV	DATE
001	26.09.2025



PART	MATERIAL	COLOR / COATING
L20521_BRIANNA-7X1-SHD3-MET-MATT	PC	metallization

<b>MECHANICAL DRAWING</b>	
PRODUCT <b>BRIANNA</b>	
Plastic moulding general tolerances according to DIN 16901-130 and applies if not otherwise shown in the drawing. Silicone moulding general tolerances according to ISO 3302-1 Class M3 and applies if not otherwise shown in the drawing.	FIRST ANGLE PROJECTION: 
SCALE 1:1	WEIGHT 15.5 g

**LEDiL**

This drawing is the property of LEDiL Oy. It may not be copied or otherwise distributed without prior written permission from LEDiL Oy.

A3 SHEET 1/1

- Notes**
- Check other BRIANNA accessories & shades from the LEDiL website
  - PCB or heatsink level.
  - LED location
  - Ensure LED fitting from a product specific 3D model available from [www.ledil.com](http://www.ledil.com)
  - For more details about installation please see LEDiL Installation Guide on [www.ledil.com](http://www.ledil.com)

4

4

3

3

2

2

1

1

H

G

B

A